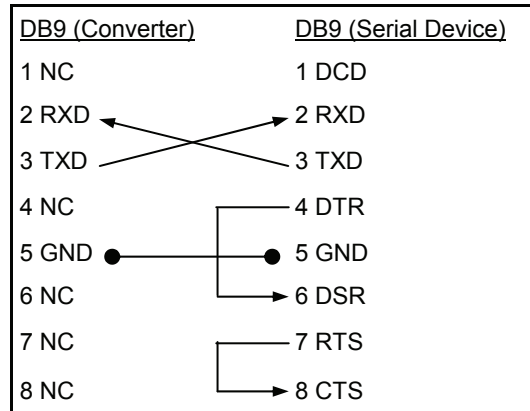


RS-232 to Fiber Optic Converter

DB9 (Male) to DB9 (Male) Wiring



6. Specifications

Type	Specifications
Connectors:	DB9 Male SC Optic Duplex
RS-232 Signals:	TXD, RXD, GND
Baud Rate:	Up to 921.6Kbps
Power Requirement:	12V / 35mA max.
Surge Protection:	15KV ESD
Distance:	Multi-Mode 2Km Single-Mode 20Km
Wave:	Multi-Mode 850nm Single-Mode 1310nm
Operating Temperature:	0° to 60°C (32° to 140°F)
Operating Humidity	5 to 95% RH
Storage Temperature	-20° to 85°C (-4° to 185°F)

EX-6300MM / SM RS-232 to Fiber Optic Converter

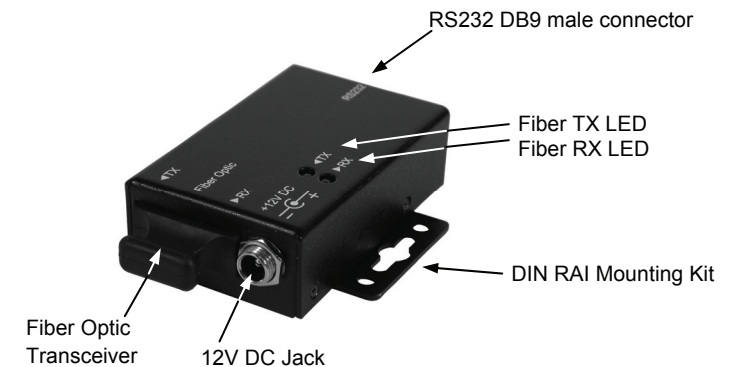
1. Introduction

Thank you for purchasing this RS232 to Fiber Optic Converter. It is designed to extend RS232 signals over optical fiber. It provides the most versatile connection possible between any asynchronous RS232 equipments using fiber optic cable. The optical fiber isolates the data signals from ground potential, ground loops and provides EMI/RFI protection. There are 2 models, single-mode and multi-mode. The multi-mode converter is used to extend serial transmission distance up to 2Km. The single-model converter extends up to 40Km.

Features:

- ✓ Provides 1 RS232 Port over Fiber Optic
- ✓ Provides 1 RS232 DB9 Male Connector
- ✓ Fiber Optic: SC, Multi Mode, 850nm, Duplex
- ✓ SC, Single Mode, 1310nm, Duplex
- ✓ RS232 Baud Rate from 300bps to 921.6Kbps
- ✓ Protects Against Electrical Interference or Chemical Corrosion
- ✓ Extends RS232 Transmission up to 2Km, multi-mode (or 40Km, single-mode Distance)
- ✓ 15KV ESD Protection for Serial Port Signals
- ✓ Powered by Serial Connector or External DC Jack
- ✓ Provides both Wall Mounting and DIN RAIL Kits
- ✓ Compact Size

2. Layout



3. LED Description

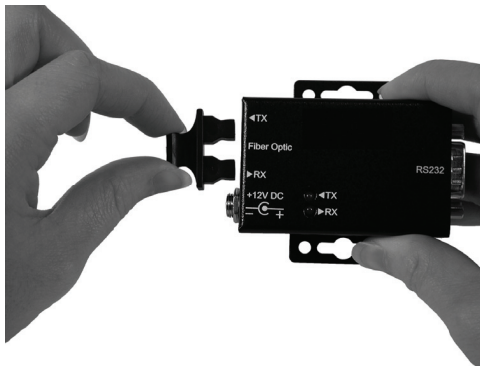
There are 2 green LEDs on the top of the Converter: **Windows XP**

LED	Color	Function
TX	Green	Blinking when the Fiber is sending data
RX	Green	Blink when the Fiber is receiving data

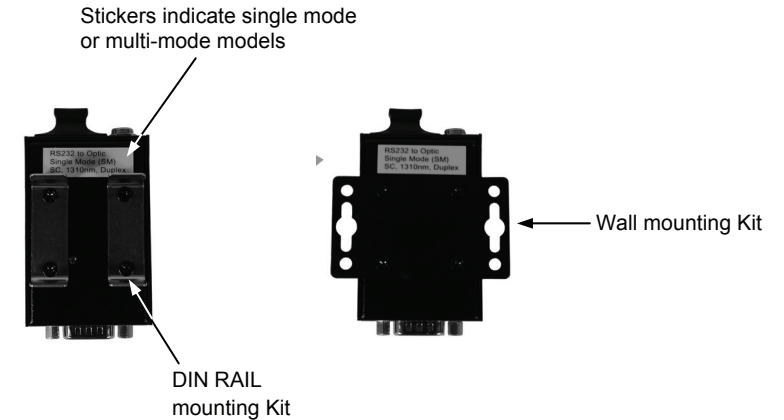
4. Hardware Installation

- Use static electricity discharge precautions. Remove possible static discharge potential from any objects that the Converter may come in contact with before installation. This can be accomplished by touching a bare metal chassis rail after you have turned off the power.
- Connect the AC power adapter, you need a 12V DC type adapter, either a screw lock type or non screw lock type will do. The AC adapter supplied with the Converter is a screw lock type.
- Connecting Fiber Cable: Please remove the protection cover on the fiber connector, connect the fiber cable to it. Please note that the single-mode fiber cable is different from the multi-mode. You have to check the correct Converter you are connecting.

- Removing the fiber protection cover:



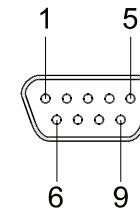
Checking Single-mode or Multi-mode models:



- Connect the Converter's serial port to your serial device.
- Use the Wall or DIN RAIL mounting Kit (optional) if you want to place the product on the industrial DIN RAIL.

5. RS-232 Male DB9 Pin Assignments and Cable

DB9-Male Pin Assignment:



Serial 9 Pin male connector:					
Pin	Signal	Pin	Signal	Pin	Signal
1	NC	4	NC	7	NC
2	RXD	5	GND	8	NC
3	TXD	6	NC	9	NC

NC = No connection